

3/3/2017

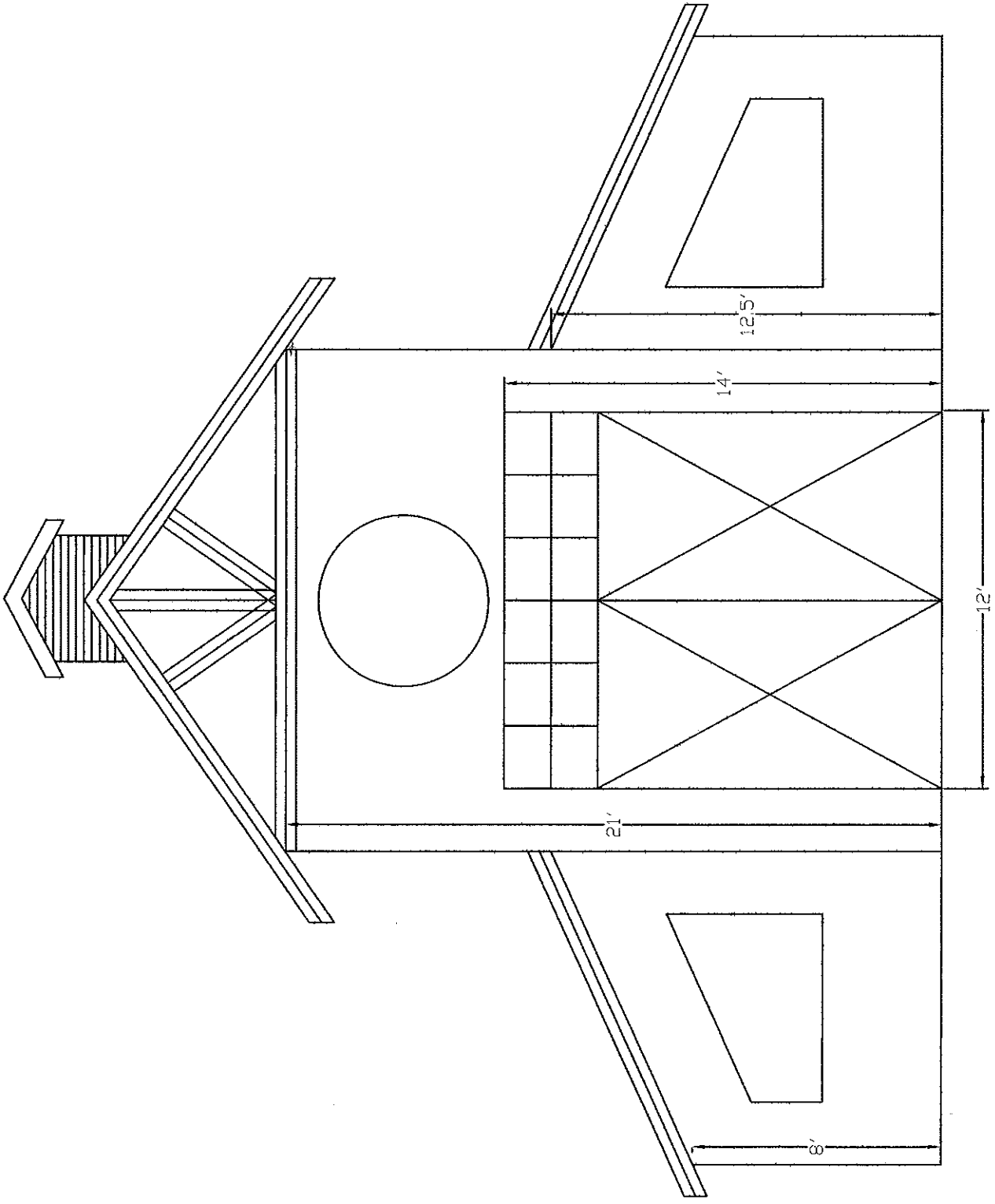
Business: Brewery serving wood fired pizza

Location: Creekside Development

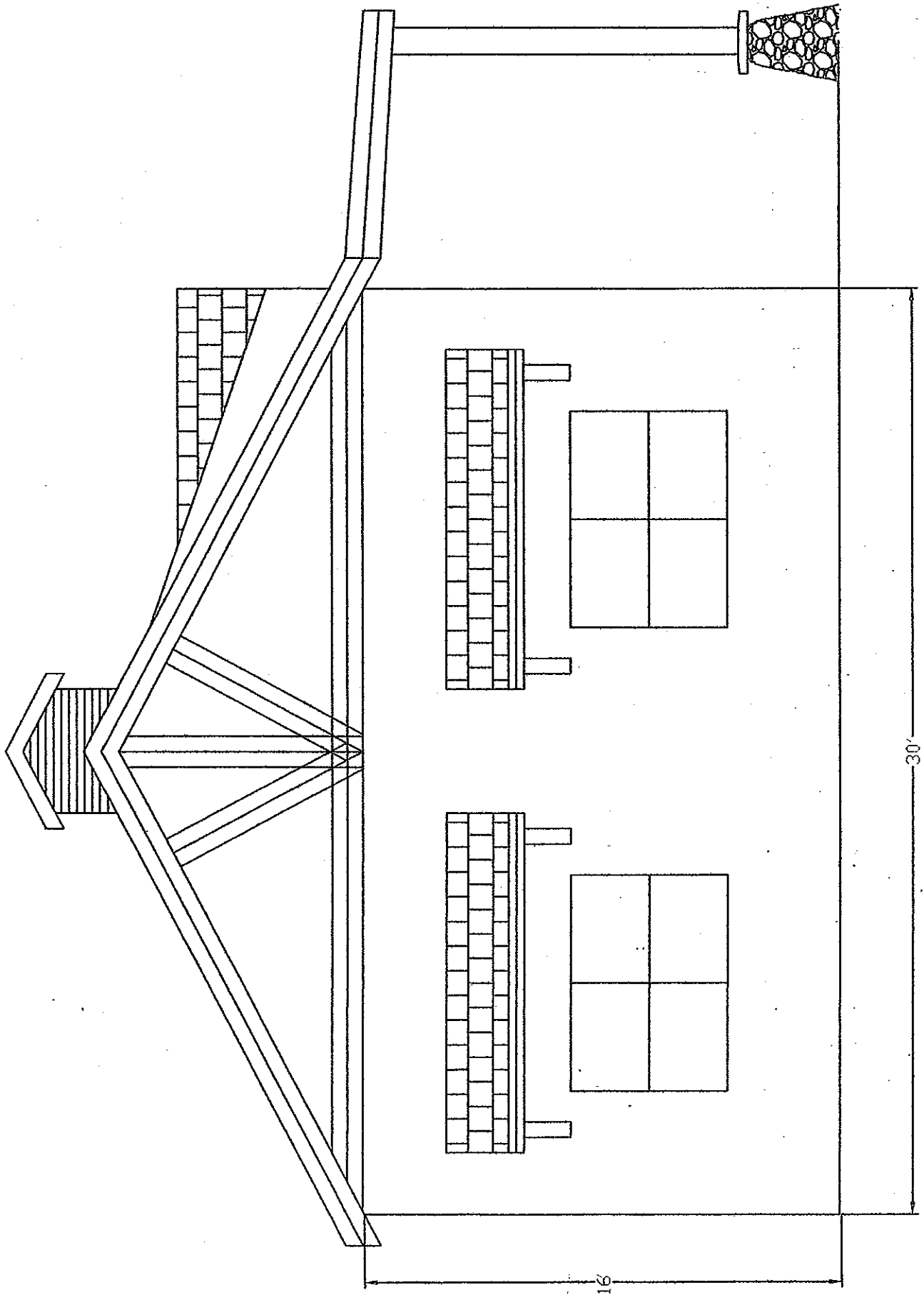
Vision: The vision of this business is to brew local beer and serve original wood fired Neopolitan style pizza. We want to create a building and atmosphere that represents Spearfish, both today and historically. With this vision we hope this is a place that locals, families, and visitors alike can enjoy!

Operation: Owned and operated by Lee & Ali Eddy of Spearfish

Thanks for your consideration!



EAST ELEVATION



4-20